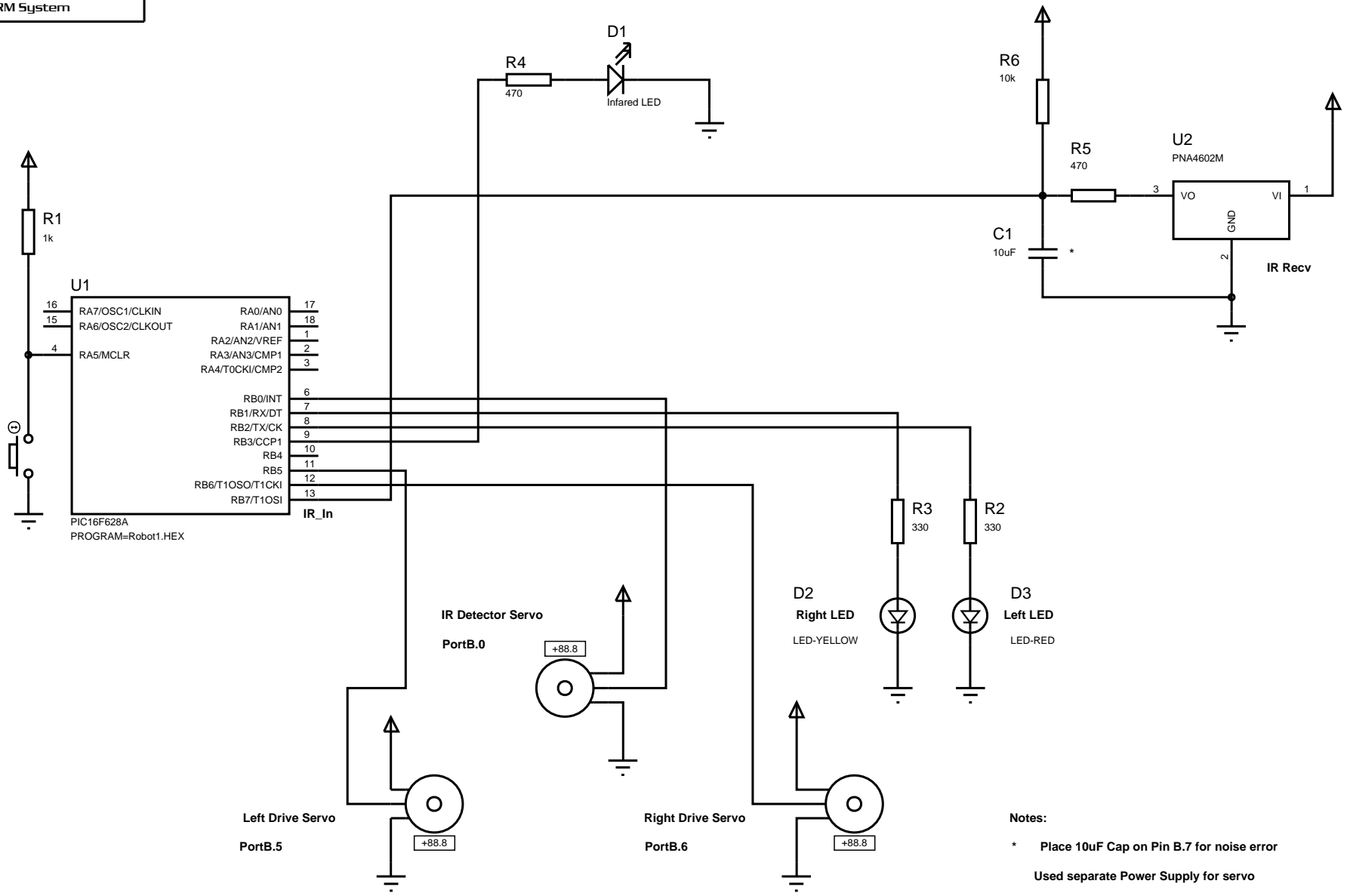


Project:Robot1	Date:May 9, 2010
By: Vincent Milano	Program:Robot1.Hex
VRM System	



Notes:
 * Place 10uF Cap on Pin B.7 for noise error
 Used separate Power Supply for servo