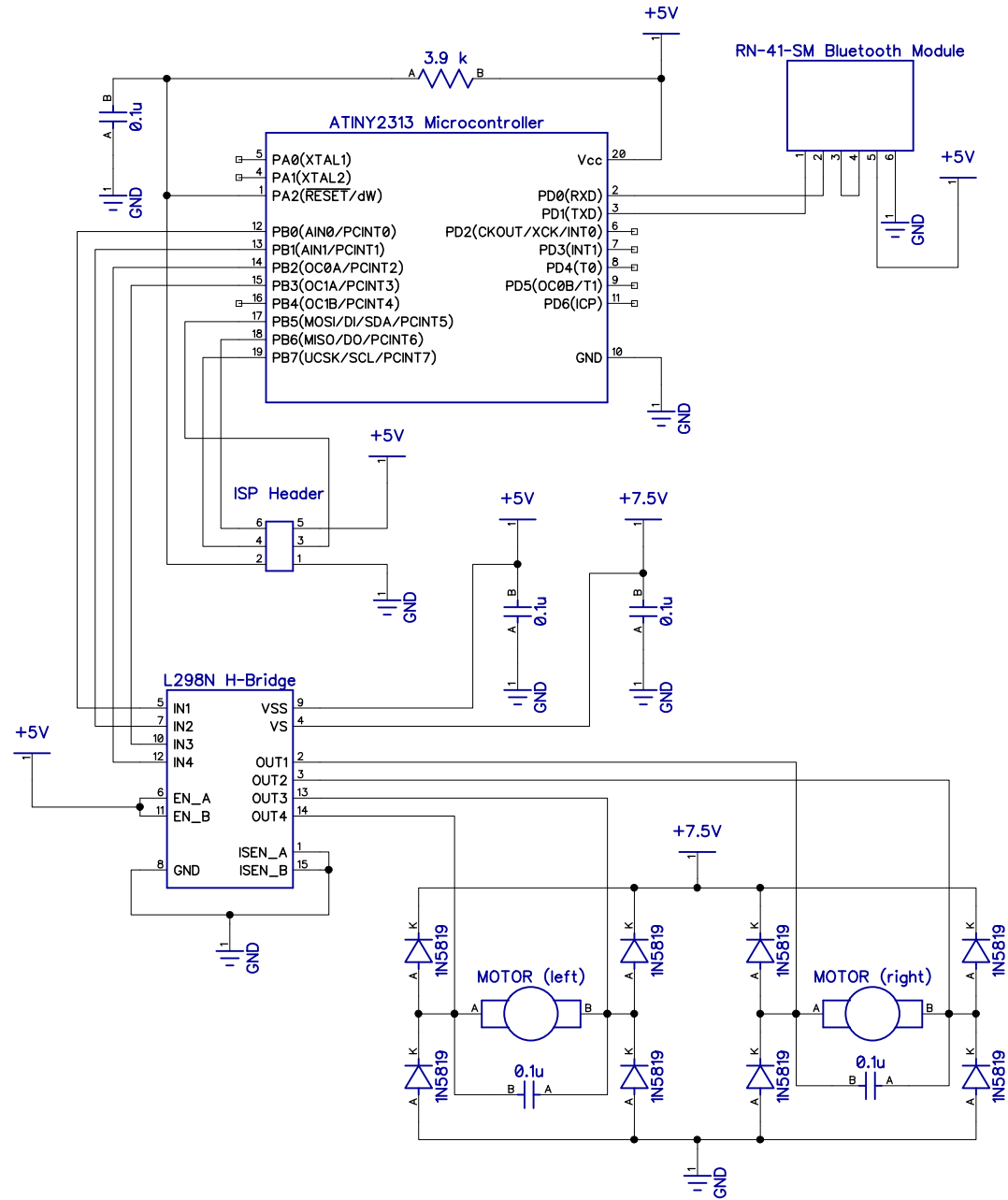
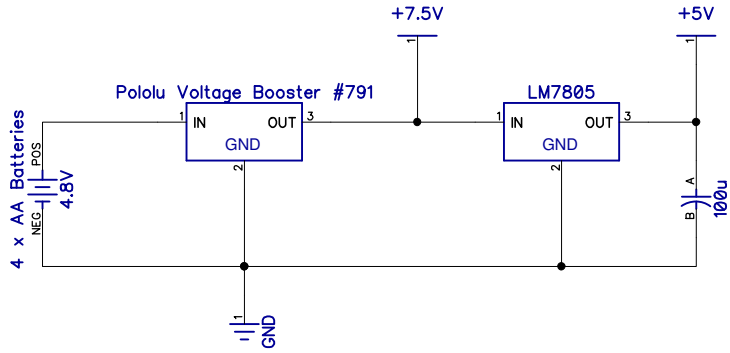


# Bluetooth Remote Control Tank (no pulse-width modulation)

## Power supply circuit



Designed by Jeremy Greenwood