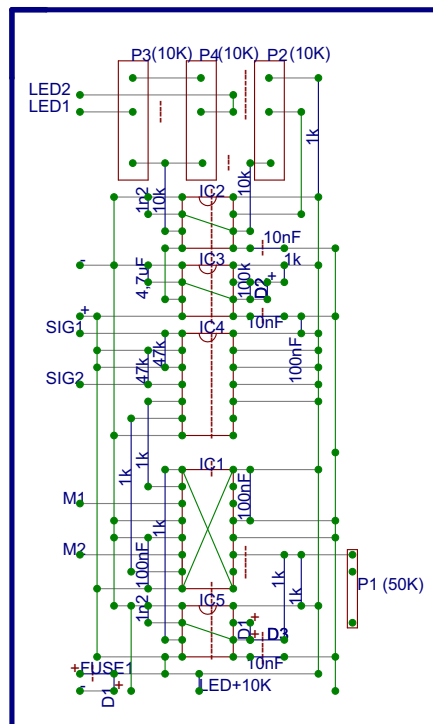


Soldering scheme - main PCB



Soldering scheme - front/back sensor

