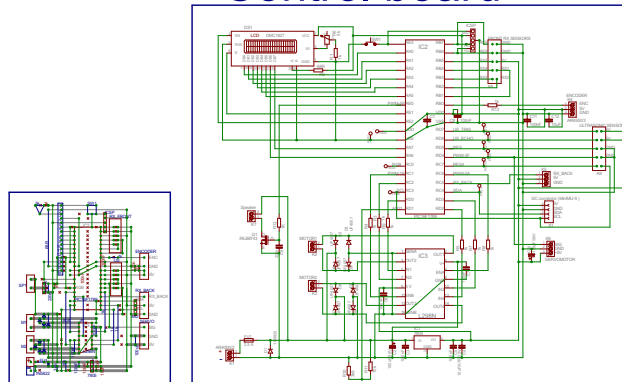
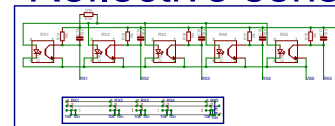


Functional and soldering scheme of robot Béda 6

Control board



Reflective sensors



Battery pack 4×Li-ion aku. 3.6V/2.2Ah

