

A

B

C

D

E

F

A

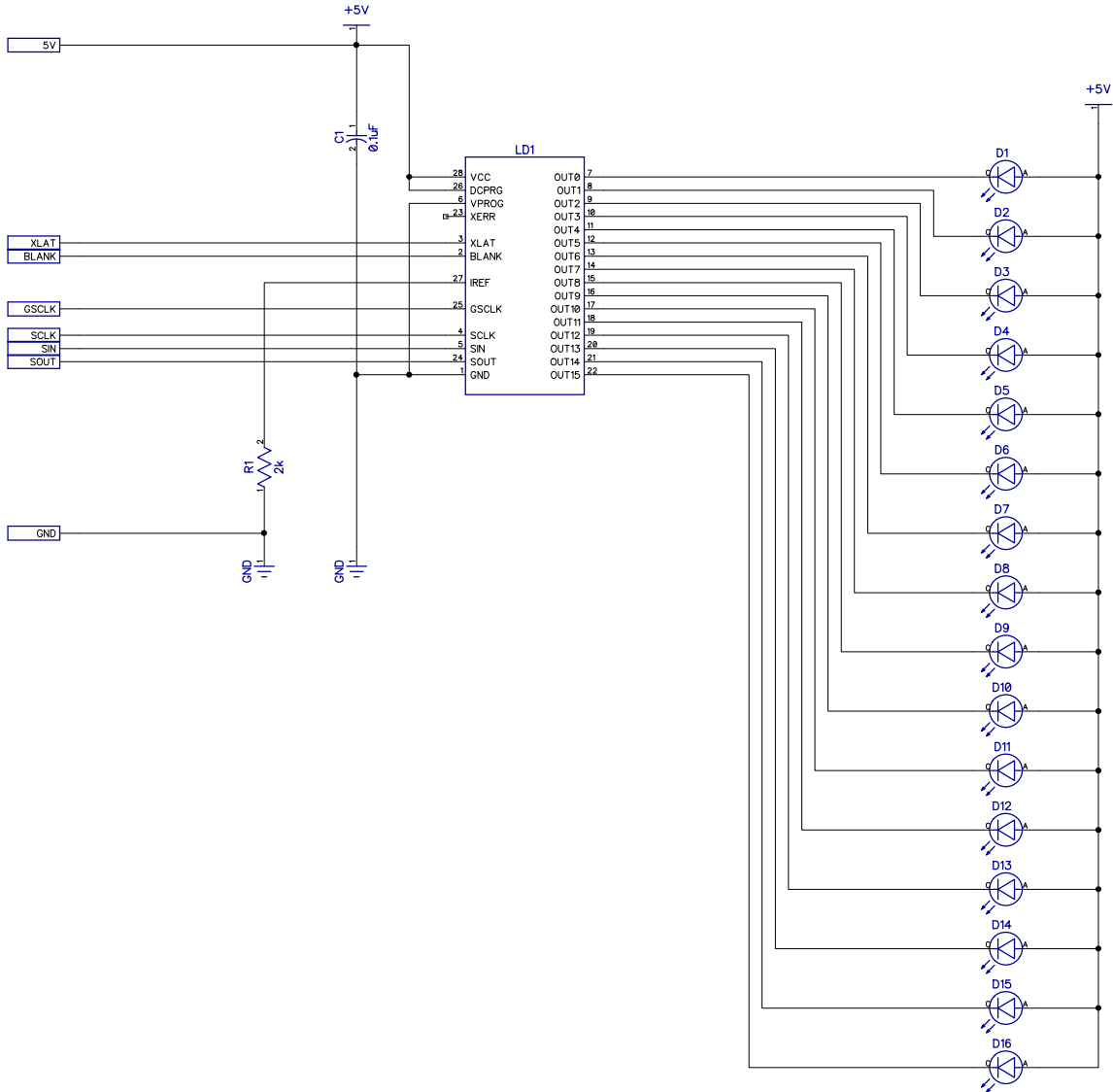
B

C

D

E

F



Itemref	Quantity	Title/Name, designation, material, dimension etc	Article No./Reference		
Designed by Geir Andersen	Checked by Tom Andersen	Approved by - date	File name Microwell LED	Date 12.02.2013	Scale 1:1
Microwell LED Versjon 2.0			Dead Bug Prototypes		
					Edition 02