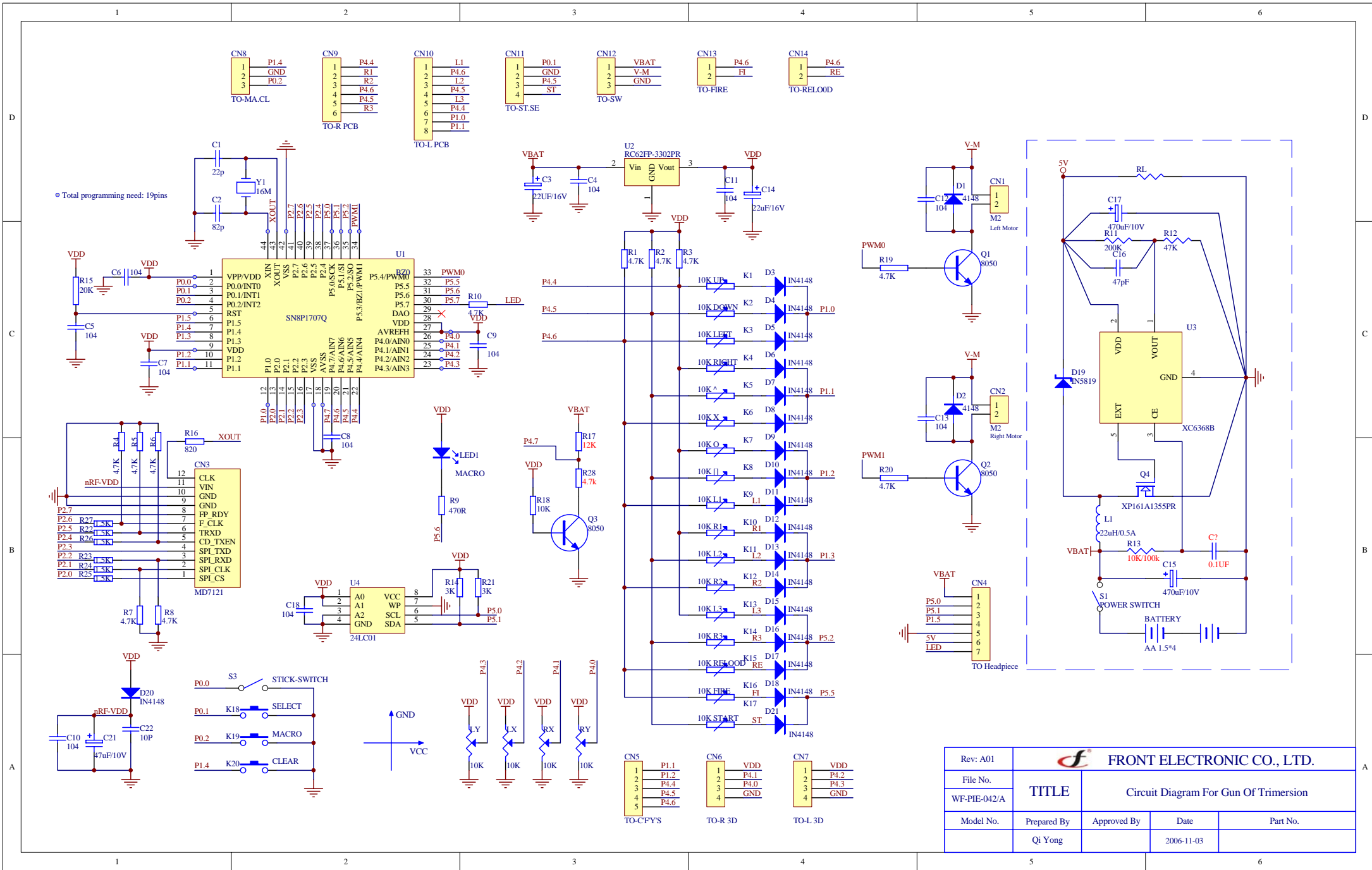
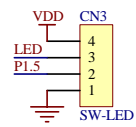
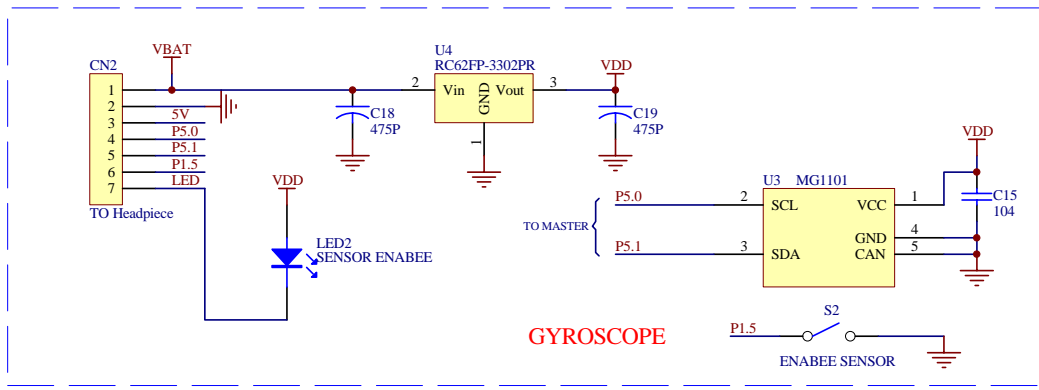
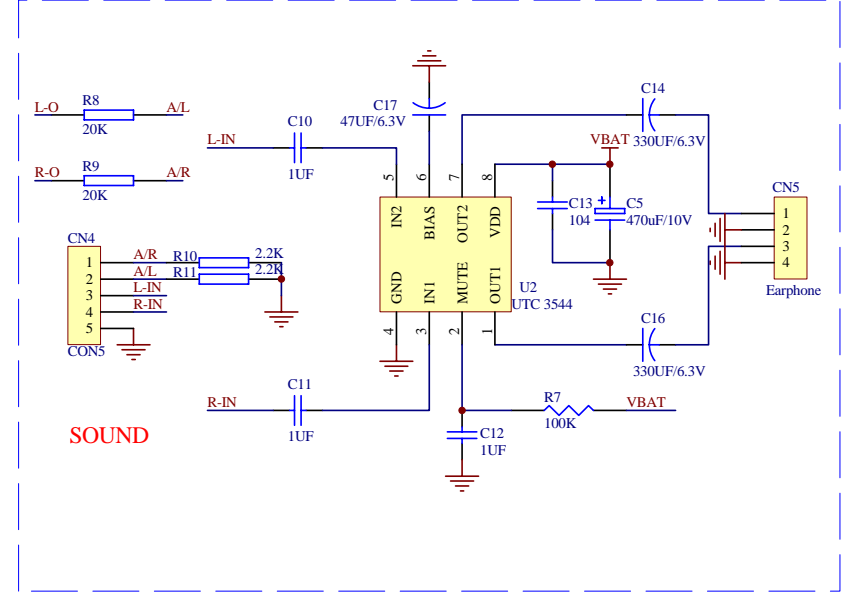
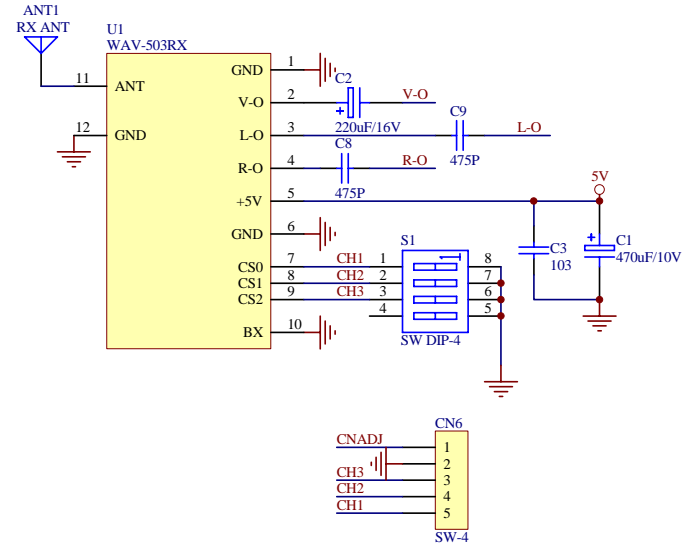
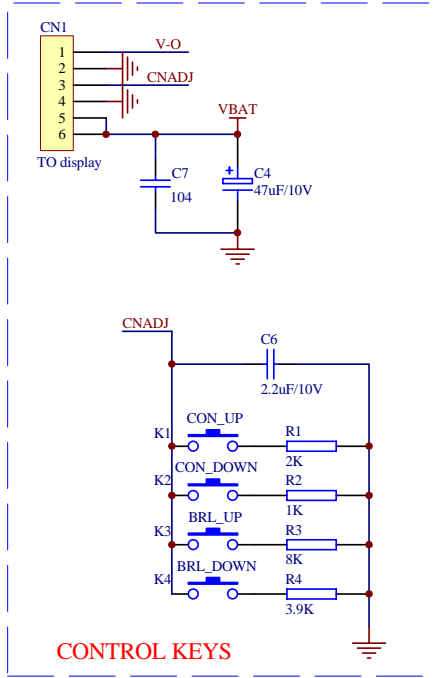


19 PROGRAM POINT

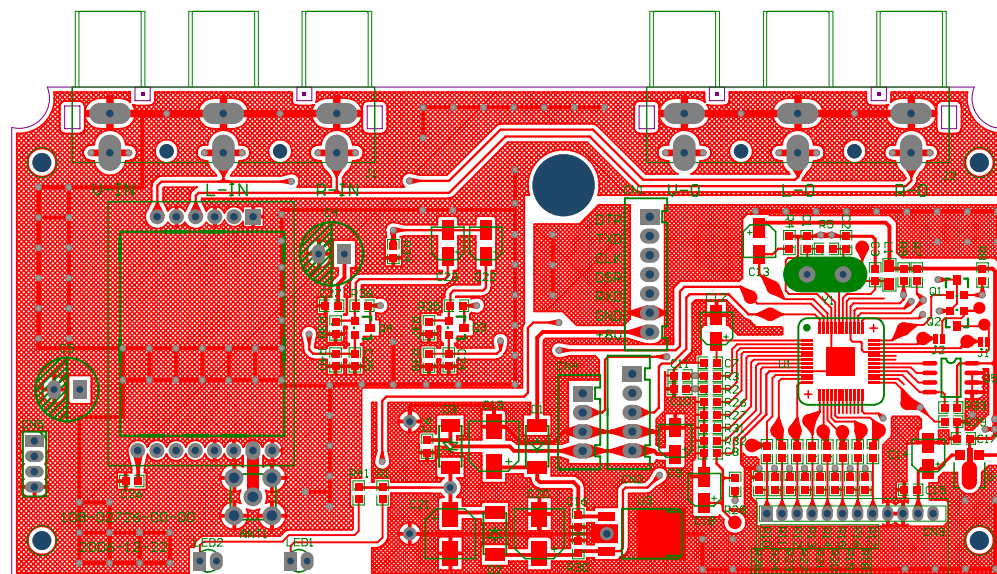
Rev: A01	FRONT ELECTRONIC CO., LTD.			
File No. WF-PIE-042/A	TITLE		Circuit Diagram For Box Of Trimerision	
Model No.	Prepared By	Approved By	Date	Part No.
	Qi Yong		2006-10-23	



Rev: A01	FRONT ELECTRONIC CO., LTD.			
File No.	TITLE	Circuit Diagram For Gun Of Trimerision		
WF-PIE-042/A				
Model No.	Prepared By	Approved By	Date	Part No.
	Qi Yong		2006-11-03	




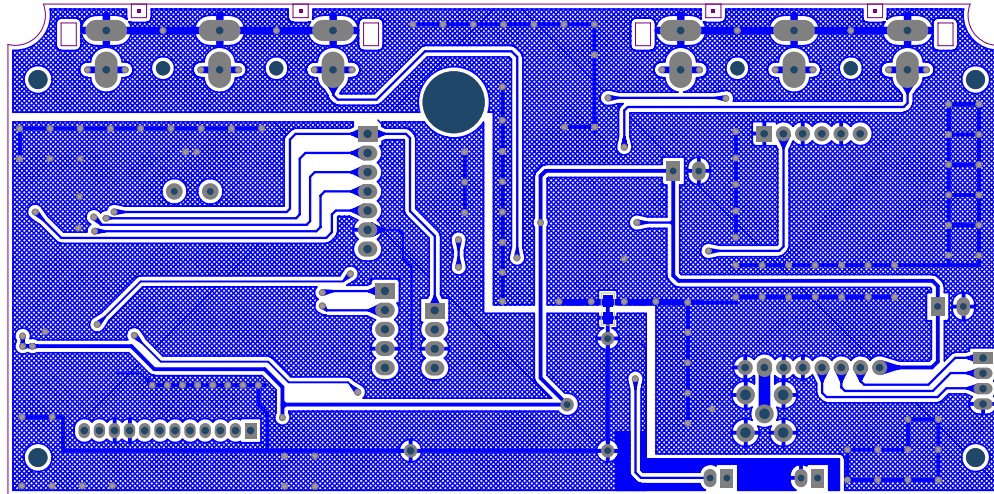
Rev: A01	FRONT ELECTRONIC CO., LTD.			
File No.	TITLE	Circuit Diagram For Helmet Of Trimersion		
WF-PIE-042/A				
Model No.	Prepared By	Approved By	Date	Part No.
	Qi Yong		2006-10-08	



THICKNESS 1.2MM FR4
2006-12-22


TopLayer

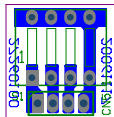
Rev: A01	 FRONT ELECTRONIC CO., LTD.			
File No.	TITLE	PCB Layout		
WF-PIE-042/A				
Model No.	Prepared By	Approved By	Date	Part No.
FEL-2726	QI Yong		2006-12-22	108-02726-00-00




FR4 THICKNESS 1.5MM FRY
S006-15-25

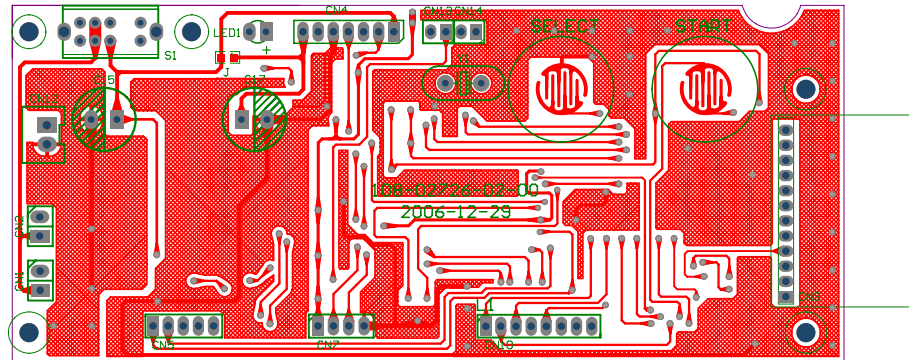
BottomLayer

Rev: A01	 FRONT ELECTRONIC CO., LTD.			
File No.	TITLE	PCB Layout		
WF-PIE-042/A				
Model No.	Prepared By	Approved By	Date	Part No.
FEL-2726	QI Yong		2006-12-22	108-02726-00-00




THICKNESS 1.6MM HB
2006-12-22

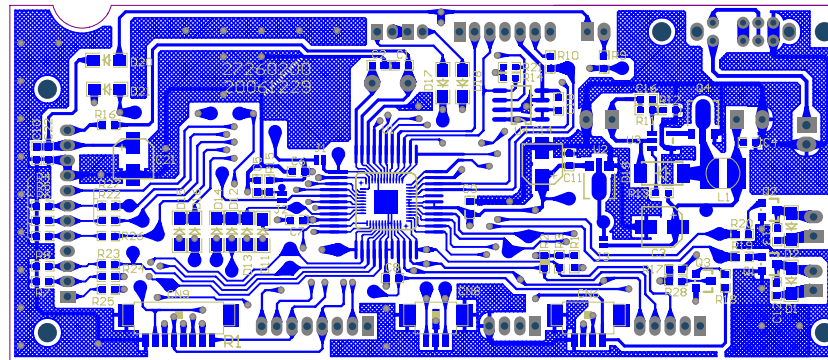
Rev: A01	 FRONT ELECTRONIC CO., LTD.			
File No.	TITLE	PCB Layout		
WF-PIE-042/A				
Model No.	Prepared By	Approved By	Date	Part No.
FEL-2726	QI Yong		2006-12-22	108-02726-01-00



THICKNESS 1.2MM FR4
2006-12-29


TopLayer

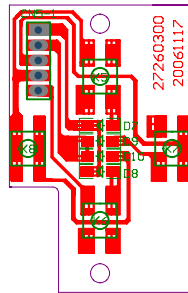
Rev: A01	 FRONT ELECTRONIC CO., LTD.			
File No.	TITLE	PCB Layout		
WF-PIE-042/A				
Model No.	Prepared By	Approved By	Date	Part No.
FEL-2726	QI Yong		2006-12-29	108-02226-02-00




THICKNESS 1.5MM FR4
 300E-1S-28

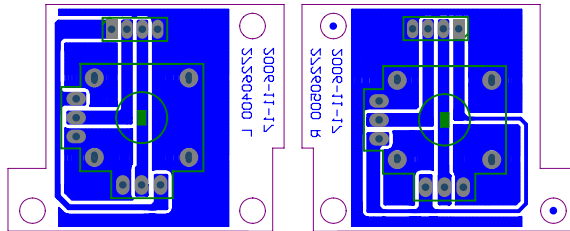
BottomLayer

Rev: A01	 FRONT ELECTRONIC CO., LTD.			
File No.	TITLE	PCB Layout		
WF-PIE-042/A				
Model No.	Prepared By	Approved By	Date	Part No.
FEL-2726	QI Yong		2006-12-29	108-02726-02-00




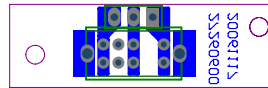
THICKNESS 1.6MM HB
2006-11-17

Rev: A01	 FRONT ELECTRONIC CO., LTD.			
File No.	TITLE	PCB Layout		
WF-PIE-042/A				
Model No.	Prepared By	Approved By	Date	Part No.
FEL-2726	QI Yong		2006-12-22	108-02726-03-00




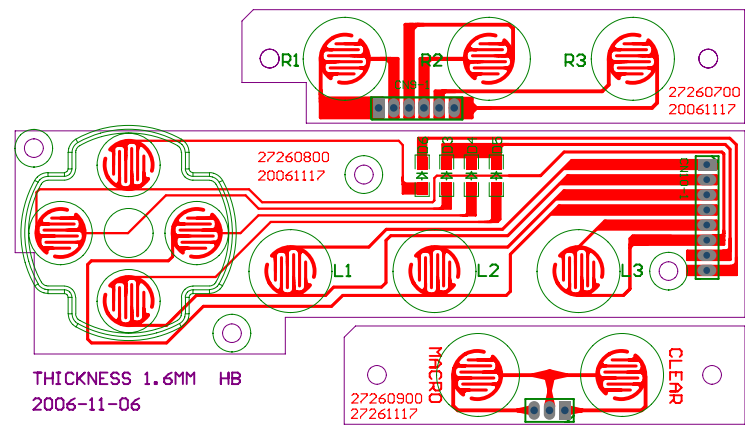
THICKNESS 1.6MM HB
2006-11-17


Rev: A01	 FRONT ELECTRONIC CO., LTD.			
File No.	TITLE	PCB Layout		
WF-PIE-042/A				
Model No.	Prepared By	Approved By	Date	Part No.
FEL-2726	QI Yong		2006-12-22	108-02726-04-00 108-02726-05-00

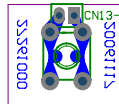


THICKNESS 1.6MM HB
2006-11-17


Rev: A01	 FRONT ELECTRONIC CO., LTD.			
File No.	TITLE	PCB Layout		
WF-PIE-042/A				
Model No.	Prepared By	Approved By	Date	Part No.
FEL-2726	QI Yong		2006-12-22	108-02726-06-00

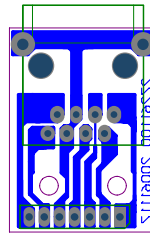


Rev: A01	 FRONT ELECTRONIC CO., LTD.			
File No.	TITLE	PCB Layout		
WF-PIE-042/A				
Model No.	Prepared By	Approved By	Date	Part No.
FEL-2726	QI Yong		2006-12-22	108-02726-07-00 108-02726-08-00 108-02726-09-00




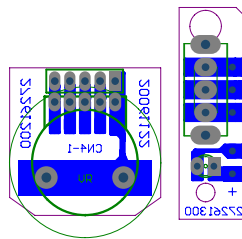
THICKNESS 1.6MM HB
2006-11-17

Rev: A01	 FRONT ELECTRONIC CO., LTD.			
File No.	TITLE	PCB Layout		
WF-PIE-042/A				
Model No.	Prepared By	Approved By	Date	Part No.
FEL-2726	QI Yong		2006-12-22	108-02726-10-00




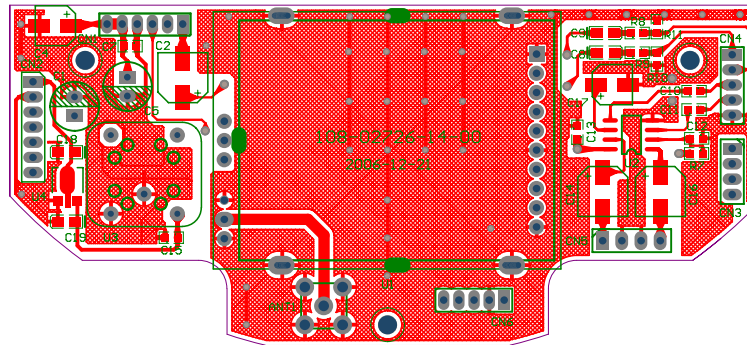
THICKNESS 1.6MM HB
2006-11-17

Rev: A01	 FRONT ELECTRONIC CO., LTD.			
File No.	TITLE	PCB Layout		
WF-PIE-042/A				
Model No.	Prepared By	Approved By	Date	Part No.
FEL-2726	QI Yong		2006-12-22	108-02726-11-00




THICKNESS 1.6MM HB
2006-11-22

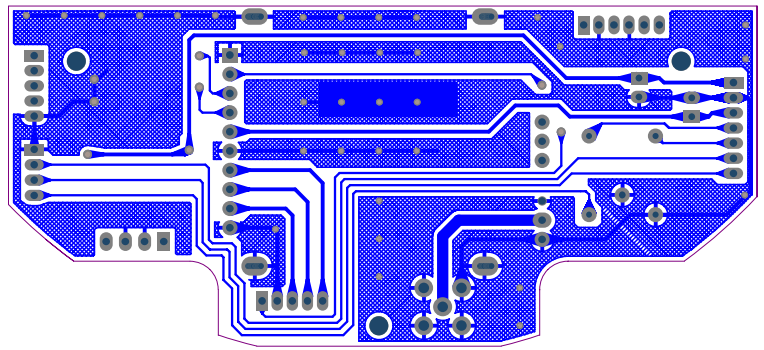
Rev: A01	 FRONT ELECTRONIC CO., LTD.			
File No.	TITLE	PCB Layout		
WF-PIE-042/A				
Model No.	Prepared By	Approved By	Date	Part No.
FEL-2726	QI Yong		2006-12-22	108-02726-12-00 108-02726-13-00



THICKNESS 1.2MM FR4
2006-12-21


TopLayer

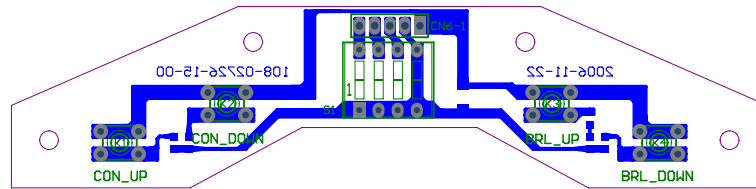
Rev: A01	 FRONT ELECTRONIC CO., LTD.			
File No.	TITLE	PCB Layout		
WF-PIE-042/A				
Model No.	Prepared By	Approved By	Date	Part No.
FEL-2726	QI Yong		2006-12-22	108-02726-14-00




3006-12-21
FR4 THICKNESS 1.5MM

Bottomayer

Rev: A01	 FRONT ELECTRONIC CO., LTD.			
File No.	TITLE	PCB Layout		
WF-PIE-042/A				
Model No.	Prepared By	Approved By	Date	Part No.
FEL-2726	QI Yong		2006-12-22	108-02726-14-00



THICKNESS 1.6MM HB
2006-11-22

Rev: A01	 FRONT ELECTRONIC CO., LTD.			
File No.	TITLE	PCB Layout		
WF-PIE-042/A				
Model No.	Prepared By	Approved By	Date	Part No.
FEL-2726	QI Yong		2006-12-22	108-02726-15-00