

Transmitter and Receiver Modules for RF-Audio & Video Transmission in ISM-Band at 5,8 GHz

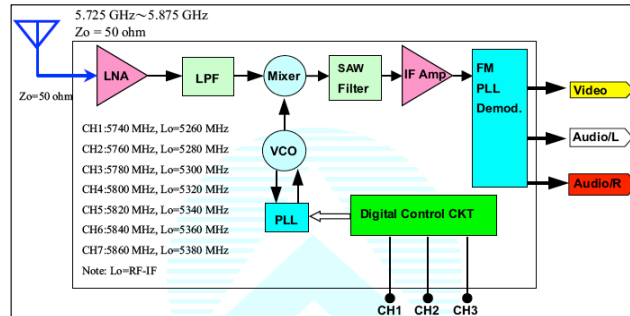
Model Number	Availability	Frequency / GHz	PAL/NTSC	Stereo Audio	# Channels	min RF Input / dBm	max RF Input / dBm	Power / V	Current / mA	Package	RSSI *)	Vfg 40/2010 **)	dpcav.com	Active-Robots
AWM660RX	discontinued, use AWM682GRX	5,8	yes	yes	7	-85	-10	5	210	compact through-hole package	no	Does not apply to Rx Devices		£16,80
AWM660GRX	available	5,8	yes	yes	7	-85	-10	5	210	compact through-hole package	no		\$30,95	
AWM682RX	discontinued, use AWM682GRX	5,8	yes	yes	7	-85	-10	5	210	through-hole package	yes			£18,79
AWM682GRX	available	5,8	yes	yes	7	-85	-10	5	210	through-hole package	yes		\$29,95	

Model Number	Availability	Frequency / GHz	PAL/NTSC	Stereo Audio	# Channels	RF Power / dBm	RF Power mW	Power / V	Current / mA	Package	Heatsink	Vfg 40/2010 **)	dpcav.com	Active-Robots
AWM661TX	available	5,8	yes	yes	7	14	25	5	120	compact through-hole package	no	compliant	\$20,49	£14,38
AWM667TX	available	5,8	yes	yes	7	27	500	5	600	through-hole package	required	not compliant	\$37,95	£26,14
AWM680TX	discontinued, use AWM687TX	5,8	yes	yes	7	12	16	5	90	through-hole package	no	compliant		£12,58
AWM683TX	discontinued, use AWM683GTX	5,8	yes	yes	7	20	100	5	270	through-hole package	no	not compliant		£17,04
AWM683GTX	available	5,8	yes	yes	7	20	100	5	285	through-hole package	no	not compliant	\$24,95	
AWM687TX	available	5,8	yes	yes	7	14	25	5	130	through-hole package	no	compliant	\$19,95	

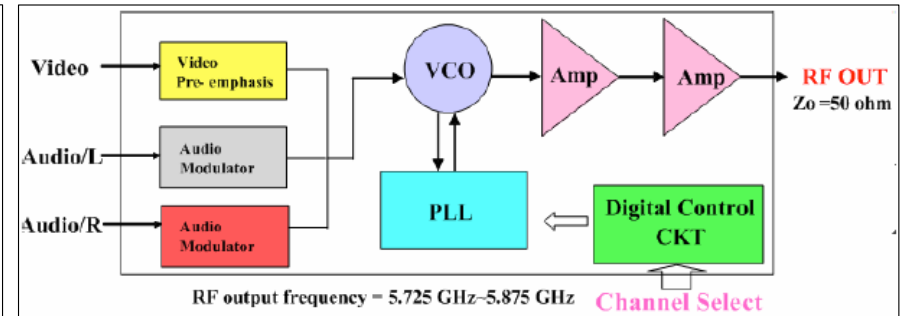
*) Received signal strength indicator
<http://www.dpcav.com/xcart/home.php?cat=249>
<http://www.active-robots.com/products/radio-solutions/5.8ghz-av-modules.shtml>



Package Layout



Receiver Block Diagramme



Transmitter Block Diagramme

***) German Regulatory Aspects - AWM6xxx devices fall under the legal directive "Vfg 40/2010" for "Short Range Devices" (SRD) of the Bundesnetzagentur. Maximum EIRP is 25mW = 14dBm. Statements in table assume omnidirectional antenna.

<http://www.mikrocontroller.net/articles/Allgemeinzuteilung>

http://www.bundesnetzagentur.de/cdn_1911/DE/Sachgebiete/Telekommunikation/RegulierungTelekommunikation/Frequenzordnung/Allgemeinzuteilungen/Allgemeinzuteilungen_node.html