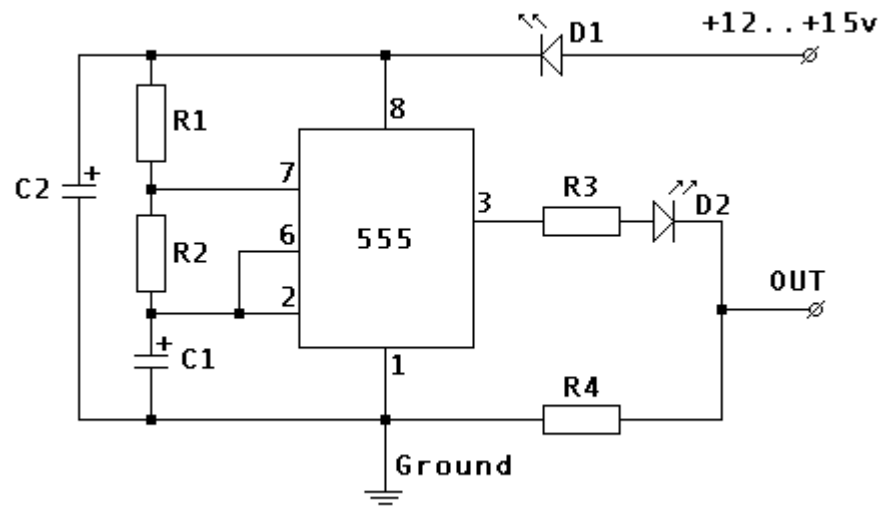


Electrical diagram:



Components:

R1	100 K Ohm
R2	1 M Ohm
R3	100 K Ohm
R4	10 K Ohm
C1	4.7 uF
C2	22 uF
D1	1.7v@20mA LED
D2	1.7v@20mA LED