



# AWM634RX

## 2.4GHz Video/Audio RF Module

### Description

Airwave 2.4GHz Audio/Video wireless RF module contains one Transmitter and one Receiver. Using of the most popular 2.4GHz ISM band and designed with high reliability. Airwave RF module is compliance with the criteria of FCC and R&TTE which can transmit/receive a wide band audio & video signals up to 300 feet in open area.

### Features

- Worldwide 2.4GHz ISM band
- Conform with R&TTE & FCC stipulation
- Compact size and low power consumption
- Highly efficient FM-FM modulation/demodulation scheme
- Compatible with both NTSC and PAL video formats
- Integrating Audio/Video input and output into one module baseband PCB
- No external Audio circuit needed
- Channel selection is four channel and default value is ch4 (not enable). Other channel can be selected by pulling low to enable.

## TECHNICAL SPECIFICATION

### General

Operation Frequency Range	2400 ~ 2483MHz
Channel Selection	PLL Synthesizer, 4ch. <sup>(1)</sup> (2414,2432,2450,2468MHz)
Video-Audio Modulation/Demodulation Type	FM-FM
Supply Voltage	DC + 5V (+/-2%)
Supply Current	140mA ~ 180mA
Operating Ambient Temperature	-10 ° C ~ +60 ° C

### Receiver

Input Signal Level Range	-85~-10dBm
<b>Video</b>	
Output Signal Level	1V <sub>P-P</sub> , typ. (+/-0.2Volt)
Frequency Response	+/-5 dB, max. 50Hz~5.5MHz
S/N Ratio (100KHz, 1V <sub>P-P</sub> Sine Wave)	40dB, min.
<b>Audio</b>	
Output Frequency Range	50Hz ~ 20KHz
Output Signal Level (Modulation Signal : 50Hz~15KHz Sine Wave)	3V <sub>P-P</sub> , typ. (+/-0.3Volt)

### AIRWAVE TECHNOLOGIES INC.

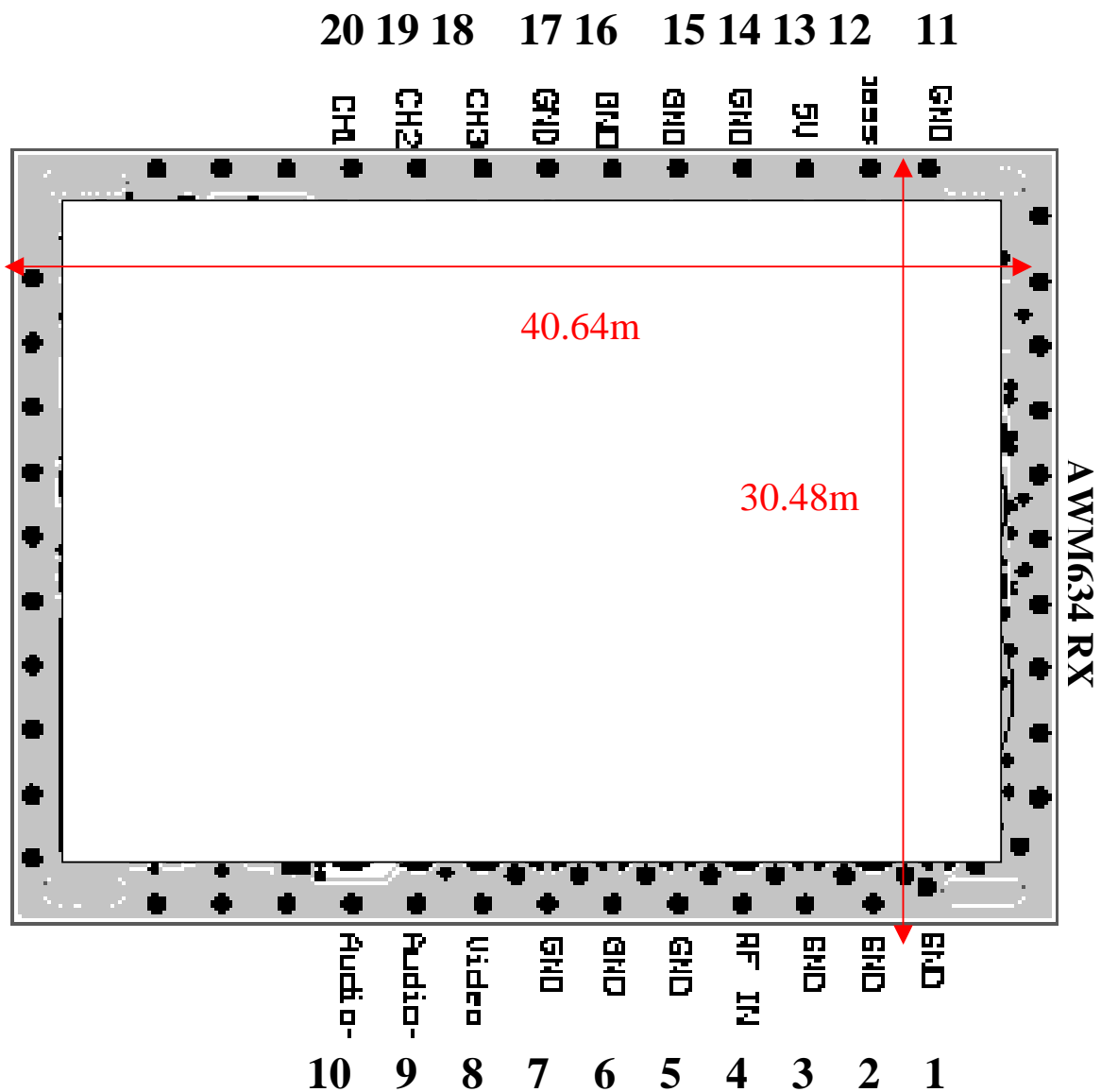


# AWM634RX

2.4GHz Video/Audio RF Module

Audio Frequency Response	50Hz ~ 15kHz (-3dB Bandwidth)
S/N Ratio (50Hz ~ 15KHz)	50dB, typ. (+/-3dB)

## Pin Definition





# **AWM634RX**

**2.4GHz Video/Audio RF Module**

**(NOTE:Channel selection default value is ch 4)**

PIN	Function	PIN	Function
1	GND	11	GND
2	GND	12	BYPASS
3	GND	13	5V
4	RF IN	14	GND
5	GND	15	GND
6	GND	16	GND
7	GND	17	GND
8	VIDEO	18	CH3
9	AUDIO-L	19	CH2
10	AUDIO-R	20	CH1

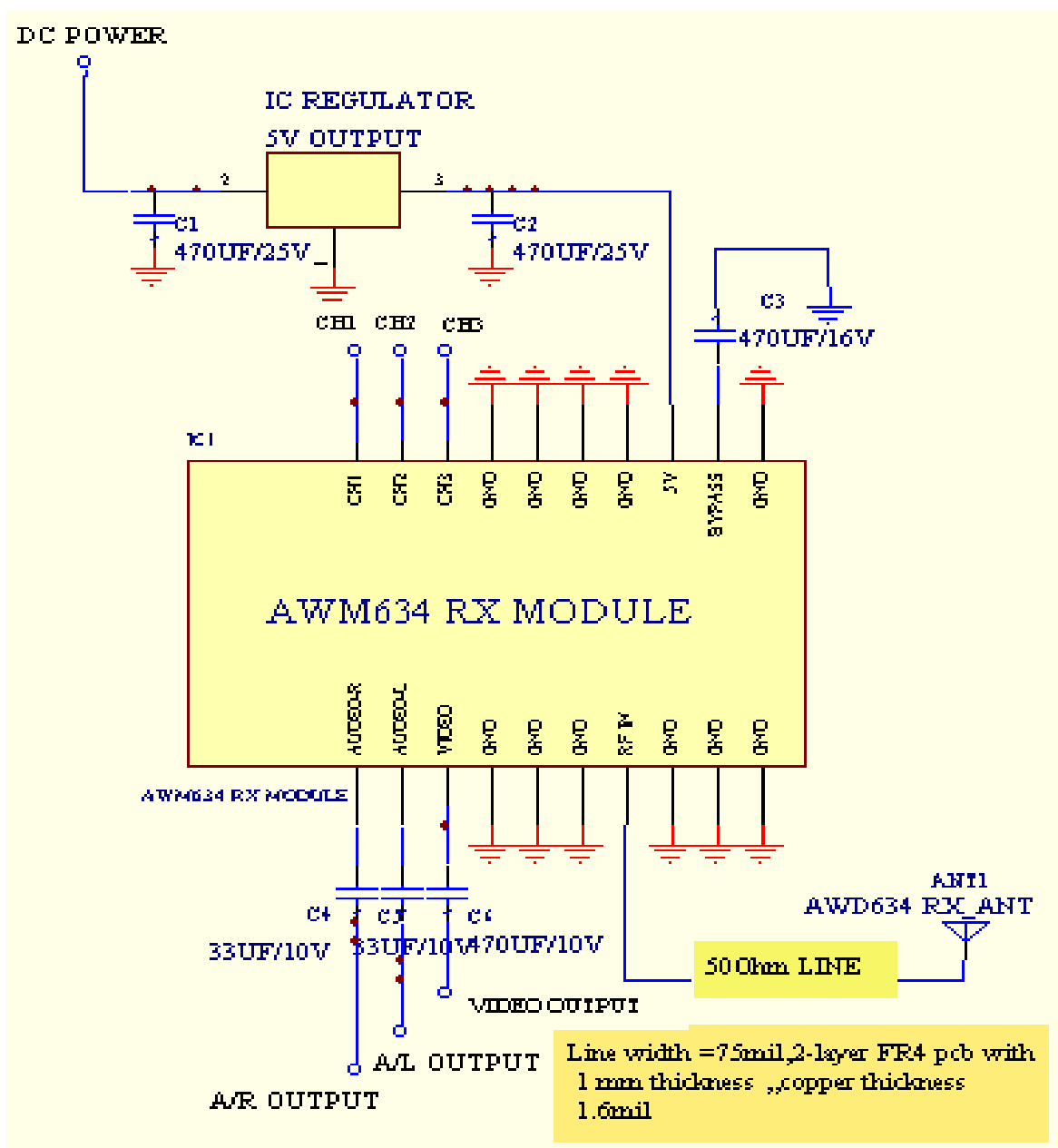
## **AIRWAVE TECHNOLOGIES INC.**



# AWM634RX

2.4GHz Video/Audio RF Module

## AWM634RX Module Application Circuit



### AIRWAVE TECHNOLOGIES INC.

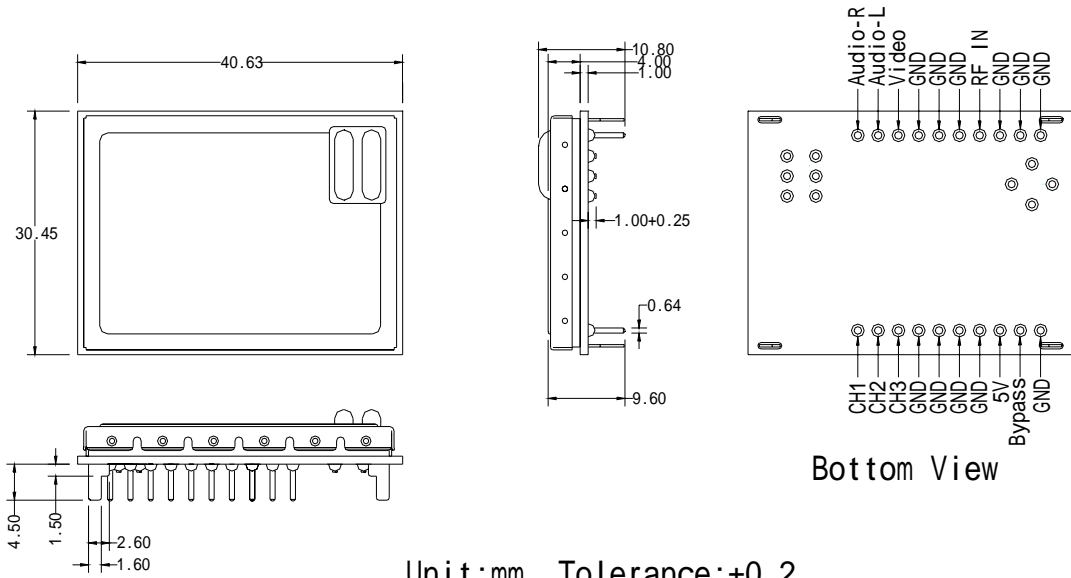


# AWM634RX

2.4GHz Video/Audio RF Module

## DIMENSION

### AWM634-RX(2-1)



Unit:mm Tolerance:±0.2

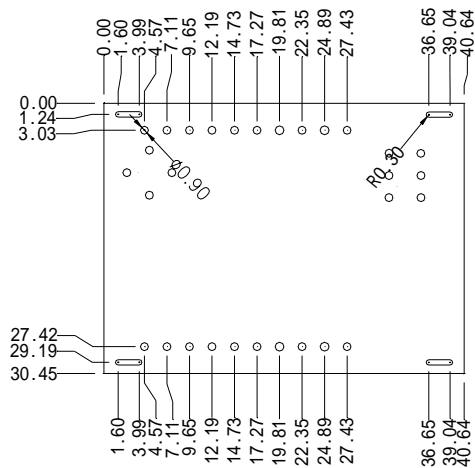
## AIRWAVE TECHNOLOGIES INC.



# AWM634RX

2.4GHz Video/Audio RF Module

## AWM634-RX(2-2)



Top View

Unit:mm Tolerance:±0.2

### AIRWAVE TECHNOLOGIES INC.